

LED



Package content

Box size(mm)	Carton size(mm)	Pcs/Ctn	Kgs/Ctn
200x140x57	420x300x320	20	11.1/10.6

Gross and net weight (Kgs/Ctn) Battery containing

HS-OT10F

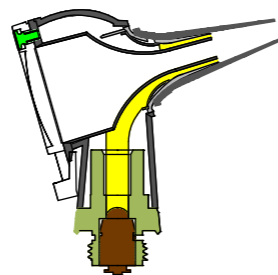
Specification

- Fiber optic illumination
- Anti-scratch glass large viewing window of 3x magnification
- 3200k or 6000k color temperature LED bulb as light source
- For pneumatic testing
- Li-ion rechargeable battery, long life
- Micro USB charger interface is very convenient for charging
- Metal handle for the refined texture

- 光纤照明
- 防刮玻璃3倍放大的大观察窗
- 3200k或6000k色温LED灯光源
- 可鼓膜气动检查
- 锂电池供电，长寿命
- MicroUSB充电接口，充电方便
- 精致手感的金属手板



Two charging methods



Fiber optic illumination



HS-OP10S

Specification

- Simple handle
- 5 different apertures
- 19 kinds of adjustable corrective lenses, Range of lenses : -20d~+20d
- 4000k color temperature LED bulb and XHL Xenon Halogen bulb to optional
- The clip with integrated on/off switch
- 简易型手柄
- 5种光阑
- 19种屈光透镜，屈光范围：-20D~+20D
- 4000k色温LED灯和XHL卤素灯可选
- 固定夹扣式on/off开关



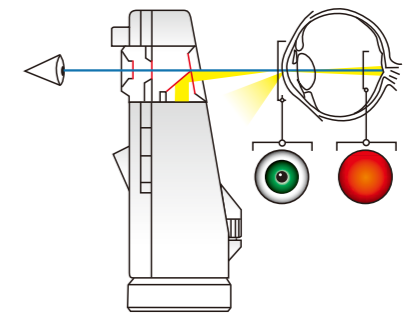
Package content

Mode	Box size(mm)	Carton size(mm)	Pcs/Ctn	Kgs/Ctn
HS-OP10S	193x102x32	400x215x195	20	4.0/3.6

Gross and net weight (Kgs/Ctn) Battery not included



+	1	2	3	4	6	8	10	15	20
-	1	2	3	4	6	8	10	15	20



Specification

- Coaxial parallel light principle
- 5 different apertures
- 19 kinds of adjustable corrective lenses, Range of lenses : -20d~+20d
- 4000k color temperature LED bulb and XHL Xenon Halogen bulb to optional
- The clip with integrated on/off switch
- Standard handle, handy and convenient
- 同轴平行光原理
- 5种光阑
- 19种屈光透镜，屈光范围：-20D~+20D
- 4000k色温LED灯和XHL卤素灯可选
- 固定夹扣式on/off开关
- 标准型手柄，轻巧方便



Color optional (HS-OP10)



Package content

Mode	Box size(mm)	Carton size(mm)	Pcs/Ctn	Kgs/Ctn
HS-OP10	190x110x40	400x240x230	20	6.5/6.0

Gross and net weight (Kgs/Ctn) Battery not included



HS-OP10